

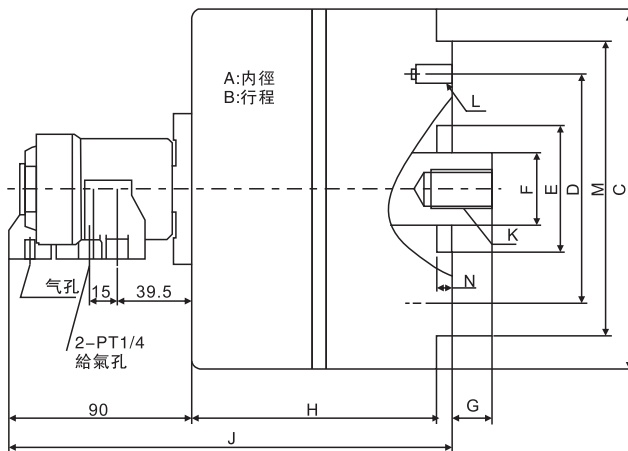
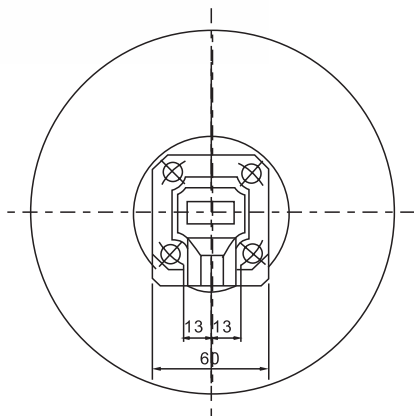
> RA-B SERIES

中實雙活塞氣壓缸

DOUBLE ROD PISTON ROTATING AIR CYLINDER



- ◎ 雙活塞設計，拉力能加大1倍。
 - ◎ 輕量型，高速型，運轉平衡，回轉閥體採用特殊鋁合金制造而成，內部零部件皆採用進口原件，高壽命，低慣量。
 - ◎ 使用時請注入微量油霧。
 - ◎ 可根據客戶需求定制。
- ◎ Light weight and high rotating speed, special designed valve which economize air consumption, the cost is saved.
 - ◎ The components of cylinder is imported and high quality, equilibrium running and long service life.
 - ◎ For special large through hole can be customized according to your requirements.
 - ◎ During using, a little oil mist should be contained.



規格 Spec. 型號 Model	活塞面積 Eff.piston area cm ²		行程 (mm) Piston stroke	最高回轉速 Max R.P.M	最大使用壓力 Max. Operating Pressure MPa(kgf / cm ²)	推薦動力卡盤	重量 Weight (kg)
	押側 Extend	拉側 Retract					
RA-130B	251.2	247.9	12	4000	0.8(8)	5" 6"	8
RA-160B	380.8	369.7	25	4000	0.8(8)	6" 8"	12
RA-200B	606.8	595.8	30	3500	0.8(8)	10"	17
RA-250B	960	949	35	3000	0.8(8)	12"	16

規格 Spec. 型號 Model	A	B	C	D	E (h7)	F	G		H	J	K	L	M	N
							max	min						
RA-130B	130	12	160	90	65	25	27	15	113	221	M16x25	6-M10x20	100	4
RA-160B	160	25	195	125	100	40	40	15	135	243	M20x35	6-M10x20	160	5
RA-200B	200	30	232	160	125	40	44	14	147	255	M20x35	6-M12x20	192	6
RA-250B	250	35	285	200	160	40	42	7	158	266	M20x35	12-M12x20	235	10

* 保留技術更改的權利，恕不另行通知 Subject to technology changes without prior information

* 非標需求可訂做 Non-standard requirements can be made